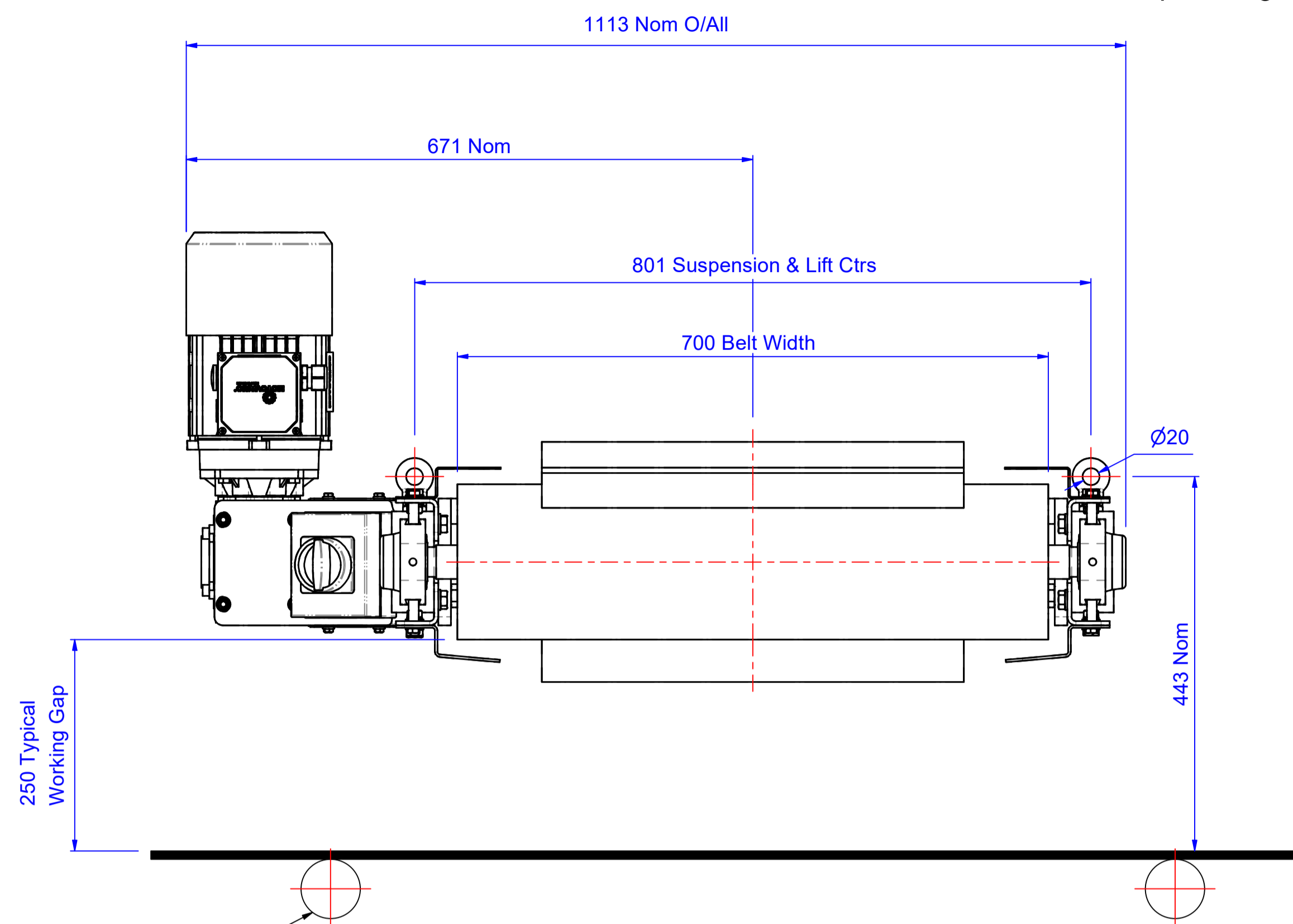
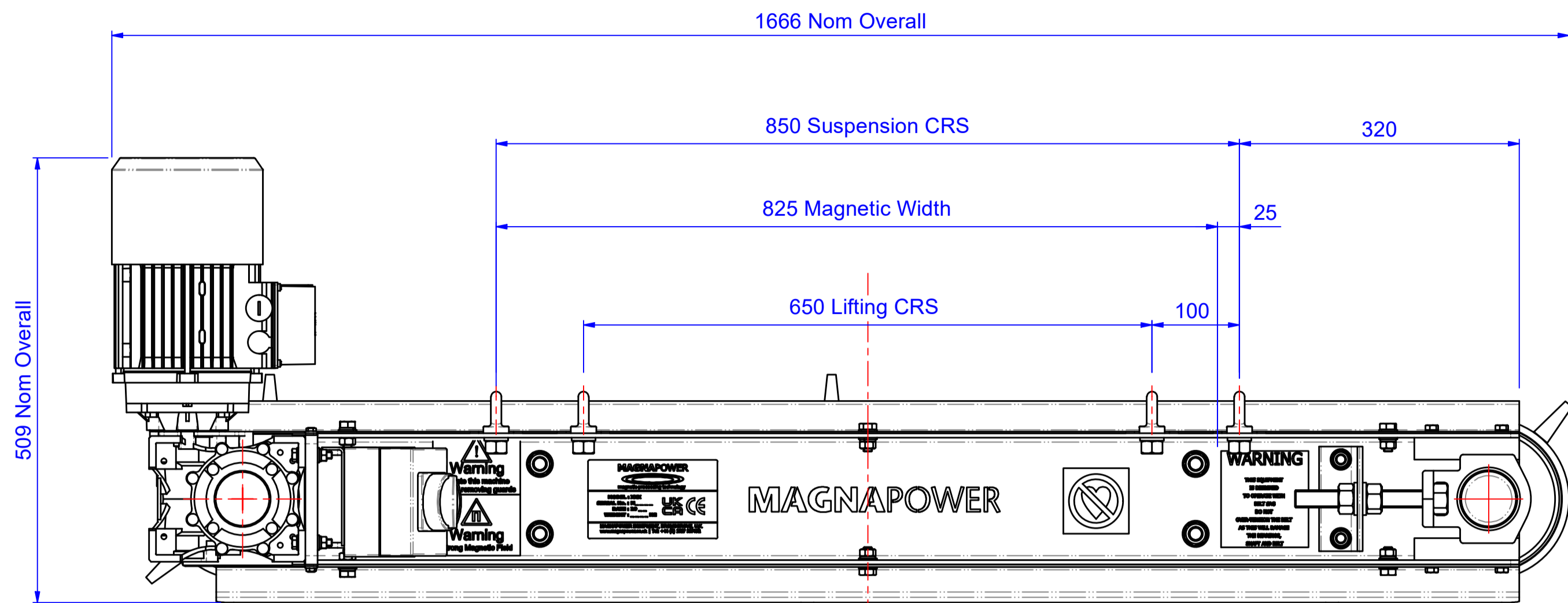


CAUTION ! Open magnetic field, risk assessment required when installed



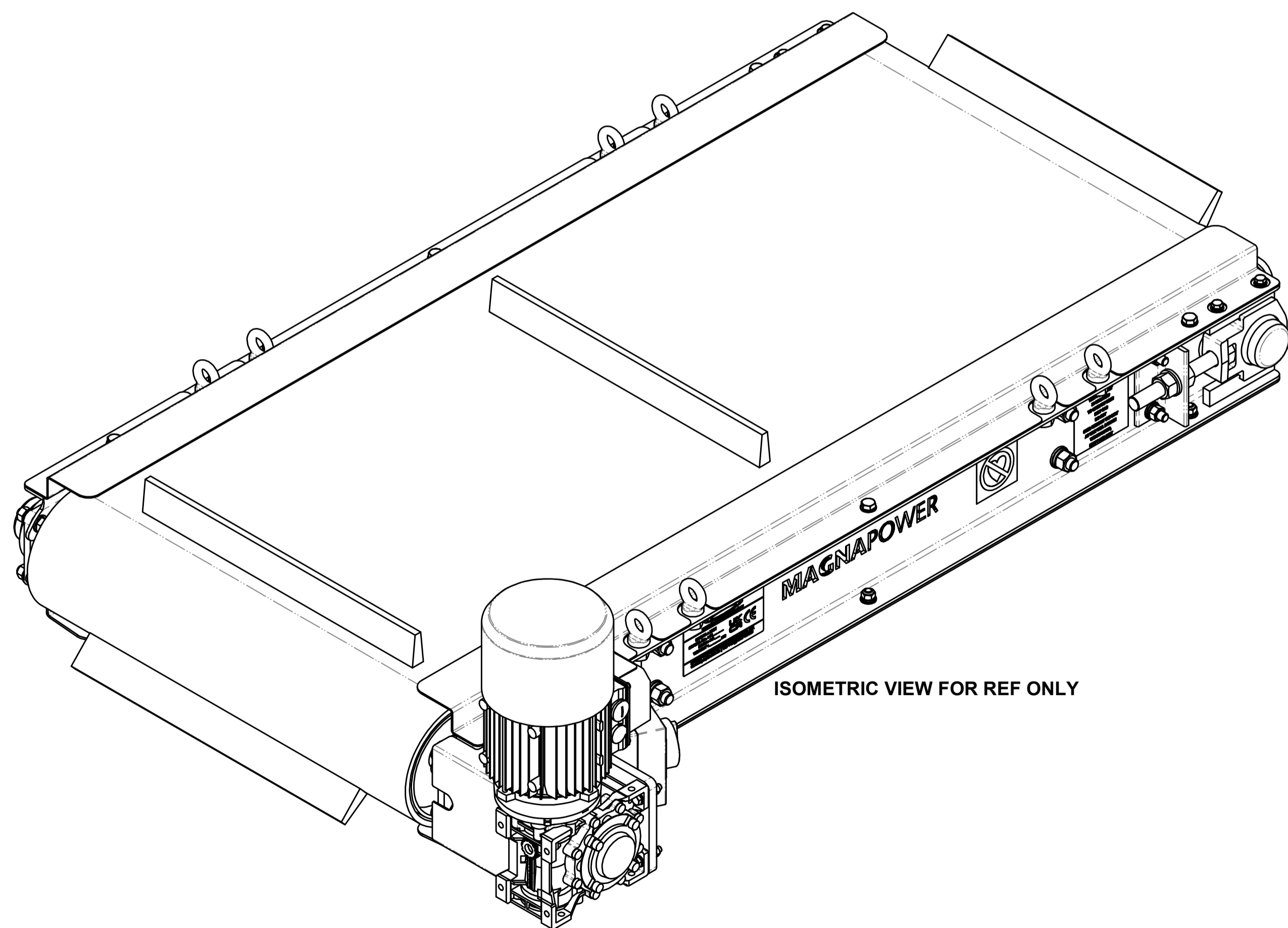
Place overband between idlers if possible. All equipment within 1000mm from the underside of the magnet should be constructed from NON-MAGNETIC material.



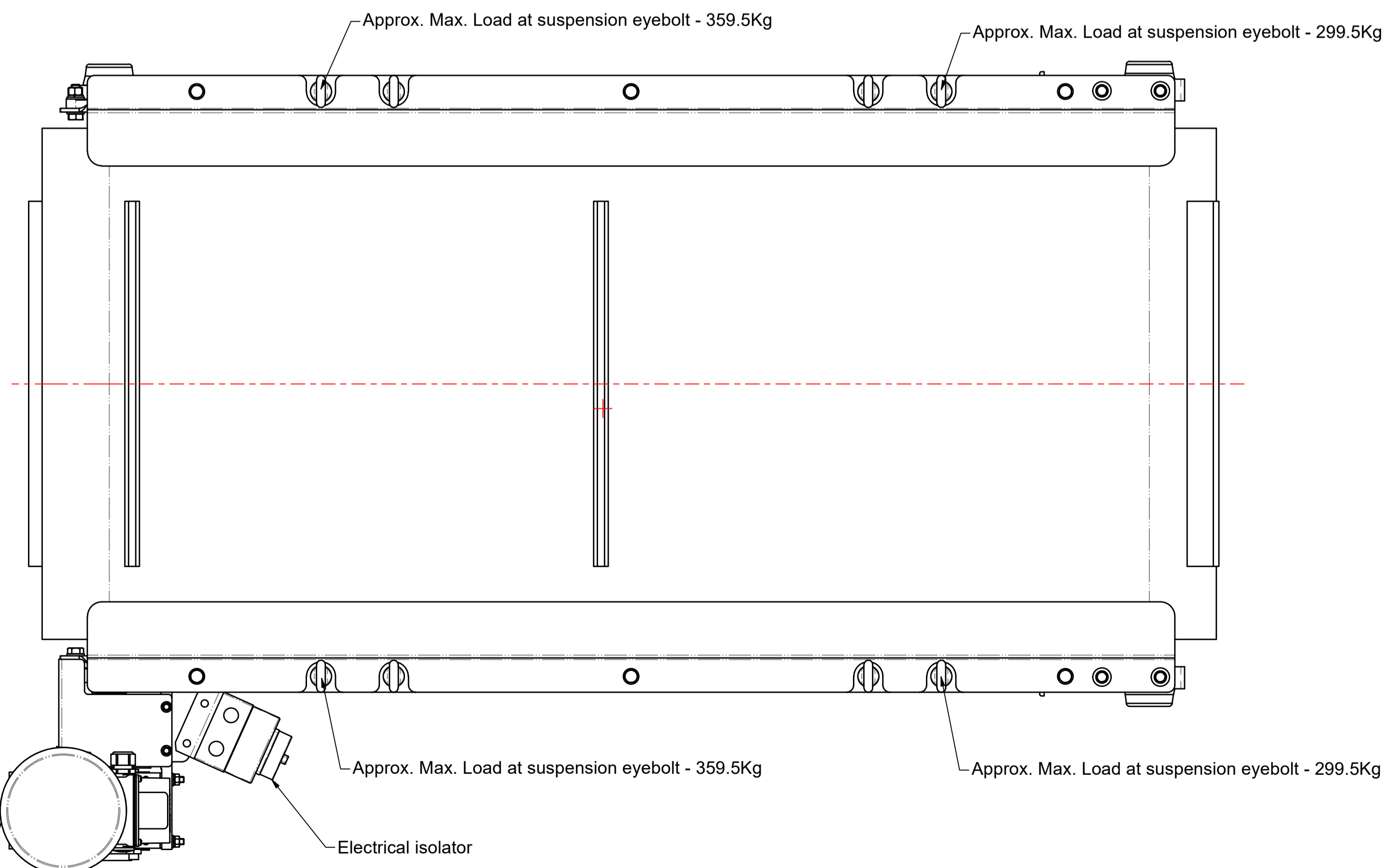
Ferrous Discharge

Discharge chute, supplied by customer, should be made from NON-MAGNETIC material, chute should fit under edge of belt

800 Max Belt Width



Belt Drive Motor: 1.1kW
Electrical supply : 400/460v / 3 Ph / 50/60 Hz
Belt Speed: 1.5 mtrs /sec @ 60Hz (approx.)
Service Weight : 20 kg



REV	DESCRIPTION	DATE	APPROVED
-	DRAWING ISSUED	07/10/22	RAL
	REVISION HISTORY		

TOTAL MASS 659 kg	CHECKED	Mark	Magnapower Equipment Ltd A1 Harris Business park Hanbury Road Worcestershire B60 4FG UK Tel : 0044(0)1527 557092 Fax : 0044(0)1527 557019 Email : info@magnapower.com
COLOUR	APPVD		
	DATE		
PROJECTION			TITLE OCP3380E - Overband Magnet - 60Hz
			DATE 07/10/2022
			DRAWN RAL
			DRG. No 921.B.0007.03
			REV -

The information contained in this drawing is the confidential property of Magnapower Equipment Ltd and should not be passed on or related to a third party without the written consent of Magnapower Equipment Ltd

MAGNAPOWER