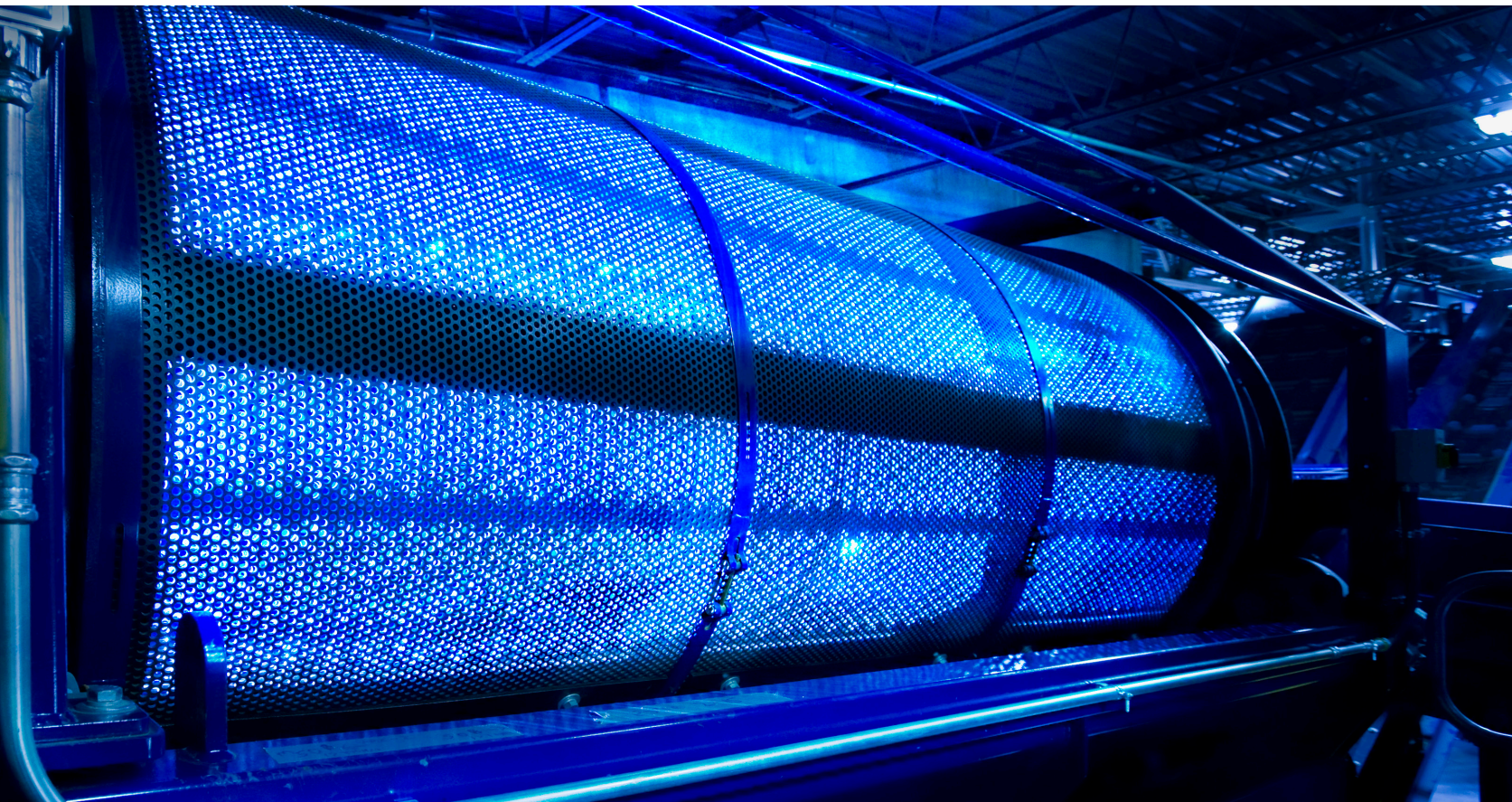




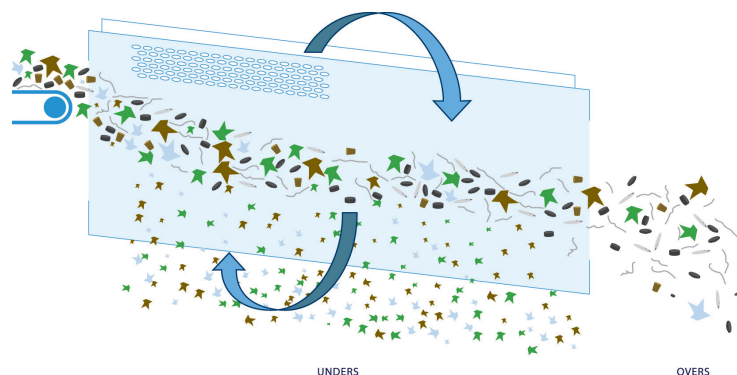
CP GLASS TROMMEL

CUSTOMIZABLE SCREENING OF FINES FROM GLASS



LOW-MAINTENANCE CUSTOMIZABLE SOLUTION FOR GLASS PROCESSING

The CP Glass Trommel is a customizable revolving cylinder screen that separates mixed glass particles based on shape and size. Multi-optional arrangements make it easy for the operator to customize the trommel- dual or single barrel, a variety of screen openings, with the option of up to 4 material splits are available to target the exact specifications of glass outcomes. Retractable covers make it very easy for maintenance personnel to access the trommel.

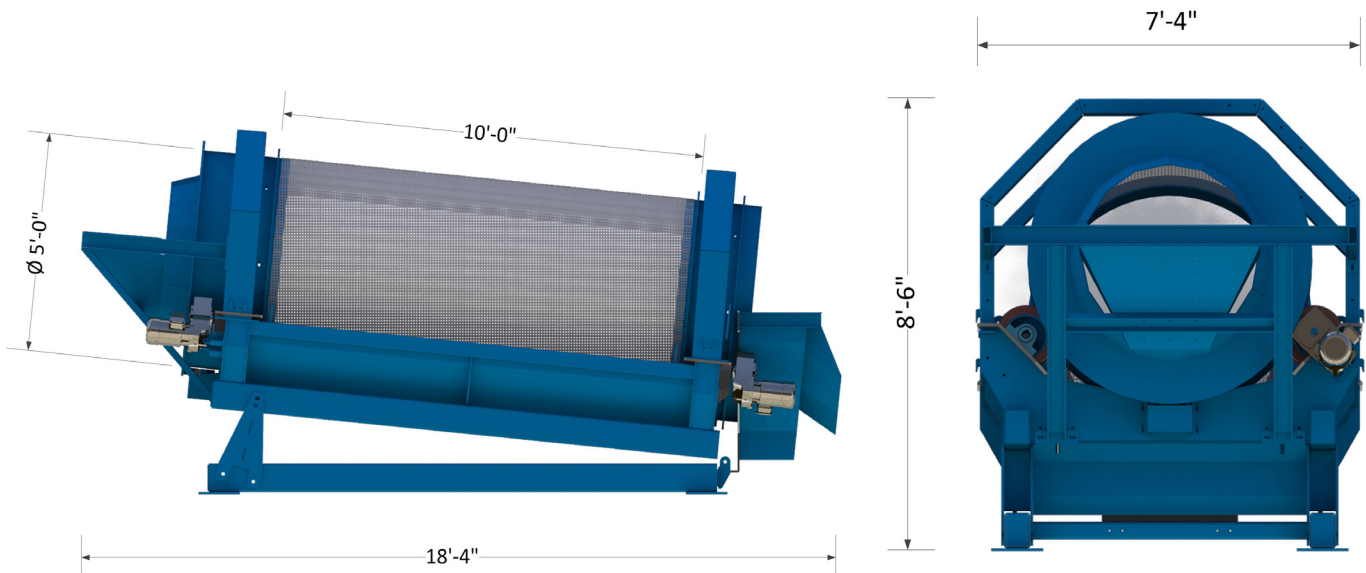


619.477.3175 | 1.800.462.5311 | sales@cpmfg.com | www.cpmfg.com
6795 Calle de Linea, San Diego, CA 92154 © CP Manufacturing, Inc.



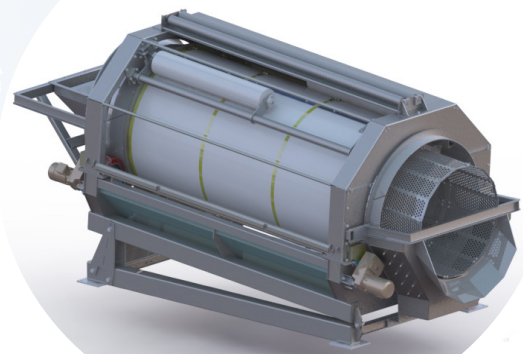
CP GLASS TROMMEL

CUSTOMIZABLE SCREENING OF FINES FROM GLASS



FEATURES AND BENEFITS

- Separation of fines from large and medium glass particles
- Retractable cover for ease of maintenance
- Dual barrel option decreases space requirements
- Heavy-duty urethane direct-drive wheels
- Very low maintenance
- Customizable screening options up to 4 material splits
- User selectable size options for screens sizes
- Length options in 2 sizes: 20' or 14'



619.477.3175 | 1.800.462.5311 | sales@cpmfg.com | www.cpmfg.com
6795 Calle de Linea, San Diego, CA 92154 © CP Manufacturing, Inc.

